

SAFETY INFORMATION

Please read these instructions carefully and store in a safe place for future reference.

- This appliance is to be kept out of the reach of children.
- This appliance can be used by children aged from 8 years and above and persons with reduced physical, sensory or mental capabilities or lack of experience and knowledge if they have been given supervision or instruction concerning use of the appliance in a safe way and understand the hazards involved.
- Cleaning and user maintenance shall not be made by children without supervision.
- Children should be supervised to ensure they do not play with the appliance.
- **Warning:** If the supply cord is damaged, it must be replaced with a special cord or assembly available from the manufacturer or its service agent.

GUARANTEE

Infiniti® Aqua has a three year guarantee and if maintained as recommended in these instructions should continue to work for many years. Use of non-approved consumables may invalidate the guarantee (excludes consumables - LED strips and glueboards). The guarantee does not cover breakdown due to misuse, incorrect operation or use in an incorrect application.

CONTENTS OF PACKAGE

- 1 x Infiniti® 2 Aqua insect light trap
- 2 x Infiniti® LED strips (fitted)
- 1 x Glupac® Infiniti® glueboard
- 4 x Screws and wall plugs
- 1 x Wall mounting template

POSITIONING AND GUIDANCE

This unit is for indoor use only. Insect light traps should be installed two metres or lower to the ground, preferably in the darkest place within the area to be protected. Do not position the unit close to windows, skylights or other sources of light, or where it may be obscured by furniture, doors or other obstacles. This unit should be used in an environment at or below 30°C (86°F) to ensure the best UV output throughout the unit's life. Ideally, insect light traps should be visible from every part of the area to be protected. Insect light traps are designed to be in operation for 24 hours a day, ensuring your premises are kept free of flying insects. Insects are most attracted to insect light traps at night when there is no competition from daylight or other light sources.

INSTALLATION

Use the supplied wall mounting plugs and screws to mount the unit to the wall, making sure appropriate wall plugs are used for specialist mounting materials such as plasterboard. Mark the four fixing points on the mounting surface, using the supplied wall mounting template. Drill four holes through the marked fixing points and insert the wall plugs. Fit the fixing screws, leaving the head slightly proud from the wall. Hang Infiniti® 2 Aqua onto the fixing screws, then tighten up from the front of the unit. Once Infiniti® 2 Aqua is installed in position, fit the Glupac® Infiniti® glueboard in place as described in the glueboard replacement section of this document. Infiniti® 2 Aqua should be hardwired into an appropriate power source (as indicated on the specification label) by a qualified electrician.

WIRING INSTRUCTIONS

The wires in the mains lead are coloured in accordance with the following code:
 BLUE = NEUTRAL
 BROWN = LIVE

MAINTENANCE

CAUTION RISK OF ELECTRIC SHOCK.

NB. For safety, opening the front guard releases the internal power switch which cuts power to the unit. Ensure the front guard is fully closed after servicing the unit.

CLEANING

Cleaning should be carried out only after ensuring the unit is disconnected from the mains. It is recommended that cleaning is carried out monthly. The unit should be thoroughly wiped down with a damp cloth, removing any build-up of dirt. Ensure the unit is completely dry before reconnecting it to the power supply. We recommend to clean the unit using only a damp cloth which does not contain any chemicals other than mild detergent.

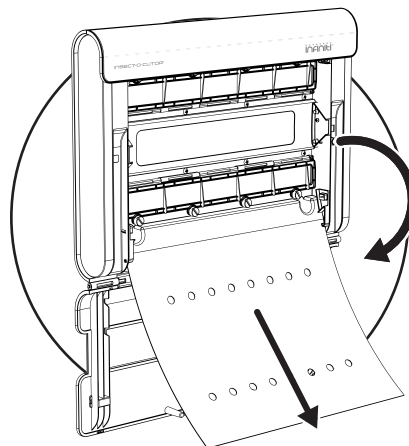
Glueboard Replacement

The glueboard should only be replaced with a genuine Glupac® Infiniti® glueboard. Use of non-approved glueboards may invalidate your guarantee. Infiniti® 2 Aqua comes supplied with discreet black glueboards with printed grids for simple insect evaluation and monitoring.

To replace the glueboard:

1. Open the front guard.
2. Remove the used Glupac® Infiniti® glueboard by first pushing it slightly up and backwards to release it from the two locating points, then carefully sliding the glueboard down and free from the unit.
3. Remove the protective release paper from the new Glupac® Infiniti® glueboard.
4. Insert the top edge of the glueboard behind the runners on the unit and carefully slide it upwards.
5. Once inserted fully, carefully allow the glueboard to drop into the two location points below the bottom left and right corners of the board.
6. Close the front guard.

GLUEBOARD REPLACEMENT



LED STRIP REPLACEMENT

LED strip replacement should be carried out only after ensuring the unit is disconnected from the mains.

The LEDs within the LED strip slowly break down over time and the level of UV emitted drops. To maintain appropriate levels of protection against flying insects, the LED strip should be replaced at least every three years, typically at the start of the season.

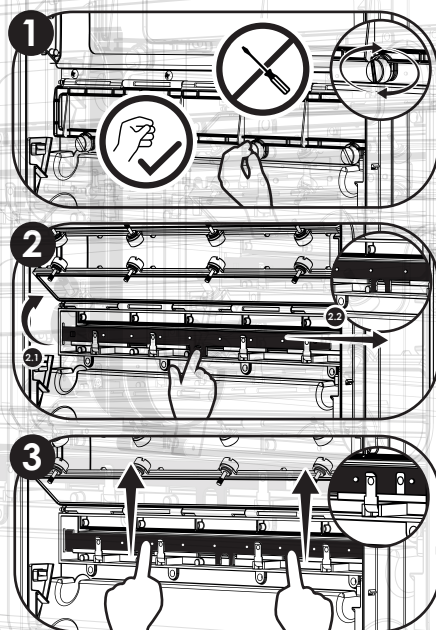
To remove the LED strip:

1. Isolate the unit from mains power supply.
2. Open the front guard and remove the glueboard.
3. Release the four retaining bolts that hold the translucent covers in place, by rotating them anticlockwise, until each cover becomes free and can be swung open.
4. Release the LED strip from the connector by inserting a finger between the two tabs and sliding to the right.
5. Push the LED strip up and free from the metal spring clips, freeing it from the unit.
6. Dispose of the LED strip in conjunction with local WEEE regulations (see Information on Disposal for Users of WEEE).

To insert a new LED strip:

1. With the translucent cover open, offer the new LED strip towards the unit, with the LEDs facing forward and the connector to the left.
2. Having positioned the new LED strip so that it is just above the spring clips, slide the LED strip down and behind the spring clips until the lower edge of the strip stops against the body of the unit.
3. Insert the LED strip into the connector, by placing a finger between the two tabs and sliding fully to the left (there are black outlines representing the metal clips printed onto the LED strip, which should sit directly behind the metal clips when the strip is in the correct position).
4. Close the translucent cover and tighten up the four bolts by HAND turning clockwise, until the cover is firmly in place. DO NOT OVER TIGHTEN, DO NOT USE A TOOL.
5. Insert a new glueboard as described in the glueboard replacement section of this document.
6. Close the front guard and reconnect the mains power.
7. If the LEDs do not light up, firstly check that the front guard is fully closed. If the LEDs still do not light up, disconnect the power, open the front guard, remove the glueboard, lift the translucent cover and check that the LED strips are fully engaged.

LED STRIP REPLACEMENT



For private households: Information on Disposal for Users of WEEE

This symbol on the product(s) and / or accompanying documents means that used electrical and electronic equipment (WEEE) should not be mixed with general household waste. For proper treatment, recovery and recycling, please take this product(s) to designated collection points where it will be accepted free of charge. Alternatively, in some countries, you may be able to return your products to your local retailer upon purchase of an equivalent new product. Disposing of this product correctly will help save valuable resources and prevent any potential negative effects on human health and the environment, which could otherwise arise from inappropriate waste handling. Please contact your local authority for further details of your nearest designated collection point. Penalties may be applicable for incorrect disposal of this waste, in accordance with your national legislation.

For professional users in the European Union

If you wish to discard electrical and electronic equipment (EEE), please contact your dealer or supplier for further information.

For disposal in countries outside of the European Union

This symbol is only valid in the European Union (EU). If you wish to discard of this product, please contact your local authorities or dealer and ask for the correct method of disposal.

We are constantly developing our products to meet the evolving standards of our customers and as such, information in our instruction manuals may change. Please visit www.insect-o-cutor.co.uk for the latest version of this manual. It is not intended that this manual forms part of any contract with Pelsis Ltd.

©2022 Pelsis

SPECIFICATION / REPLACEMENT PARTS

Model	Infiniti® 2 Aqua
Voltage	230V ~ 50Hz
Dimensions (mm)	500 x 370 x 75
Weight (kg)	4.0
LED Strip	2 x LED85
Glueboard	1 x INL288 (Black)